

SLV

HMAX-Gleitlager

Statische Gleitlager (Standard und Wide Profile / Clamping Band) für den schnellen, kostengünstigen Austausch von Wellenlagern. Reduzieren den Kettenwiderstand.

Wichtigste Merkmale

- Schneller Austausch ohne Werkzeug
- Ausführungen Standard und Wide Profile
- Spannbänder (Wide Profile)
- Geringerer Widerstand an der Kette



Qualitätskontrolle im eigenen Haus · 100% der Ketten vor Versand mit Prüflast getestet

Detaillierte technische Daten (Abmessungen, Tabellen) — auf den folgenden Seiten, in englischer Sprache.

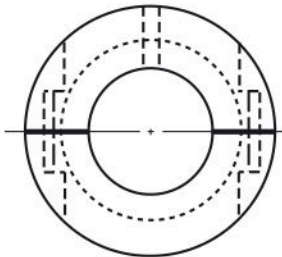
Anfragen und Angebote

Terson Sp. z o.o.
ul. Świeradowska 51-57, 50-559 Wrocław, Polska

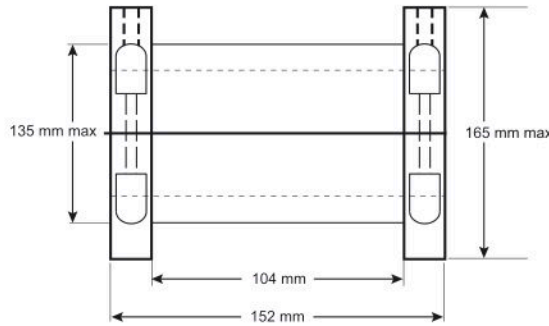
info@terson.pl
+48 71 72 30 350 · terson.eu

HMAX Sleeve Bearings

Standard Static Sleeve Bearing



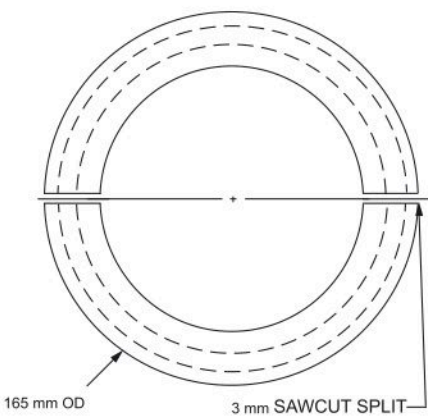
Designed for use with HMAX Style Polymer Sprockets



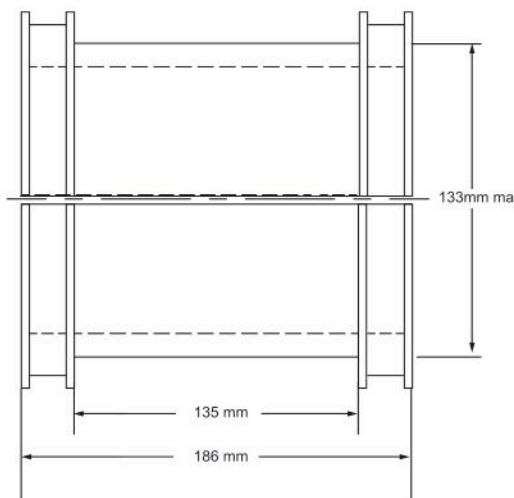
Standard static sleeves provide a quick and cost effective replacement to wall bearings. By simply removing the existing idler sprockets and installing static sleeve bearings on the shafts, you can reuse your sprockets (modification may be required) or with new ones. Static sleeve bearings provide significant improvement in service life by decreasing the drag on the chain.

Static Sleeve Bearings decrease drag increases the performance and service life of the clarifier mechanism all without the need for periodic grease or lube.

Wide Profile Static Sleeve Bearing (Clamping Band Style)



Wide Profile Static Sleeve Bearings are required for use with HMAX style Cast Nylon Sprockets (5.25" LTB) when static sleeve bearings are required.



Wide Profile Static Sleeve Bearings are assembled with the use of clamping bands that pull the two halves together without the need for nuts and bolts. Wide Profile Sleeve Bearings are designed to work with 5.25" LTB sprockets such as our Cast Nylon Sprockets.

Sleeve Bearing	Units	LTB (length-thru-bore)	Bearing Face Width	Maximum Shaft Diameter	Min. Wall Thickness	Available Materials	Average Approx. Weight
Standard	inch	6,000	4,100	4,9375	0,255	UHMW / Nyloil	4 lbs
	mm	152,40	104,14	125,41	6,48		1,81 kg
Wide Profile	inch	7,330	5,330	4,9375	0,255	UHMW / Nyloil	7 lbs
	mm	186,18	135,38	125,41	6,477		3,18 kg