

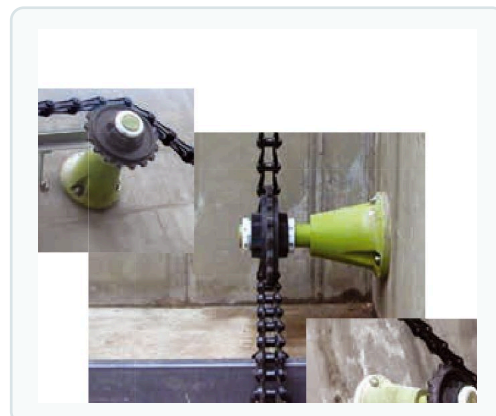
CNSS

Wellenstummel aus Gussnylon

Leichte Wellenstummel aus Gussnylon als Ersatz für schwere Stahlwellen. Reduzieren den Laufwiderstand des Systems, keine Schmierung, über 30 Jahre im Einsatz.

Wichtigste Merkmale

- Reduziert den Laufwiderstand des Systems
- Keine Schmierleitungen
- Mit statischem HMAX-Gleitlager
- Auskragungen 24" / 18" / 12"



Qualitätskontrolle im eigenen Haus · 100% der Ketten vor Versand mit Prüflast getestet

Detaillierte technische Daten (Abmessungen, Tabellen) — auf den folgenden Seiten, in englischer Sprache.

Anfragen und Angebote

Terson Sp. z o.o.
ul. Świeradowska 51-57, 50-559 Wrocław, Polska

info@terson.pl
+48 71 72 30 350 · terson.eu

Cast Nylon Stub Shafts

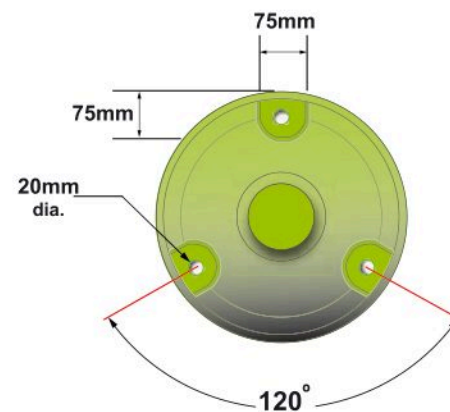
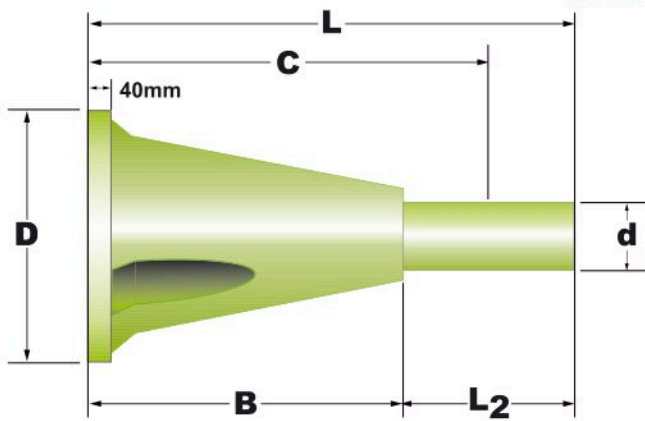


Replace metallic wall bearings and heavy steel shafts with high strength, light weight Cast Nylon Stub Shafts from TERSON. Key to the stub shaft is its durable design, a one piece casting. Unlike steel shafts and metallic wall bearings, the Cast Nylon Stub Shaft does not require lubrication and are highly resistant to deflection under load. UV inhibited to insure a long trouble free life, these are an excellent replacement for dry tank conditions. HMAX static sleeve bearings (provided with the Stub Shaft) are designed with a larger bearing surface area, lowering bearing pressure, increasing service life. Plus, the bearing is horizontally adjustable, you don't move the entire Stub Shaft assembly like other brands making it among the easiest units to install and align.

Provided with HMAX Static Sleeve Bearings
 Available in 24", 18" and 12" projection sizes
 Reduces system drag, extends component life.
 Replaces steel idler shafts I wall bearings.

Key features:

- Reduces system drag - extends life of components
- No Grease lines
- No lubrication
- In use for over 30 years - perfect for 300ft long tanks



Size	Part Number	Material	Units	Base Plate Diameter	Overall Length	Wall to Centerline Sprocket	Base Length	Spindle Length	Spindle Diameter
				D	L	C	B	L2	d
24"	HSTD733	Cast Nylon	inch	15,00	29,250	24,00	19,00	10,25	4,00
			mm	381,00	742,95	609,60	482,60	260,35	101,60
18"	HSTD737	Cast Nylon	inch	15,00	25,250	18-20	13,00	12,25	4,00
			mm	381,00	641,35	457,2-508	330,20	311,15	101,60
12"	HSTD736	Cast Nylon	inch	11,50	17,250	12,00	7,00	10,25	4,00
			mm	292,10	438,15	304,80	177,80	260,35	101,60