

NM720S

100% PROBADAS BAJO CARGA

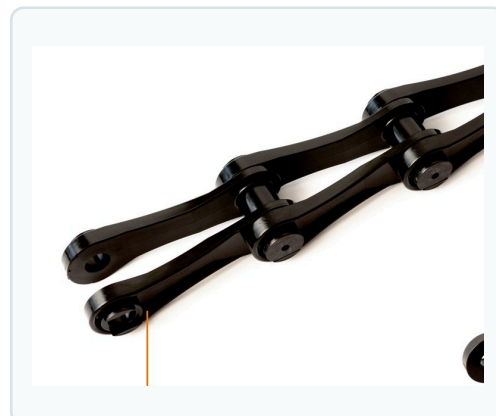
NM720S — Cadena no metálica

Cada cadena probada bajo carga antes del envío

Cadena colectora de paso 6" (152,4 mm) en nailon reforzado con fibra de vidrio — sustituto 1:1 de la serie 720 de fundición. Sin corrosión ni lubricación, una fracción del peso de la fundición.

Características principales

- Eslabón de acetal — pasador de nailon reforzado
- Pasador con bloqueo positivo (Positive Locking Pin)
- Alta resistencia mecánica y a los rayos UV
- Compatible con fijaciones F-226 / F-228



Control de calidad in-house · 100% de las cadenas probadas bajo carga antes del envío

Especificaciones técnicas detalladas (dimensiones, tablas) — en las páginas siguientes, en inglés.

Consultas y presupuestos

Terson Sp. z o.o.
ul. Świeradowska 51-57, 50-559 Wrocław, Polska

info@terson.pl
+48 71 72 30 350 · terson.eu

NM720S Non-Metallic Chain



- Acetal Link - Reinforced Nylon Pin
- Positive Locking Pin
- High Strength
- Excellent UV Resistance

F-228 & F-226 attachment links available

TERSON's latest generation of NonMetallic 6" pitch collector chain features extremely high strength and significant advantages in durability for better service life and a broader range of application capability including DAF, API and Grit collector service. Directly interchangeable with any 720 type chain, the NM720S is ideal for retro-fit or rehab of existing clarifiers.

The acetal resin link is far more resilient and resistant to bending forces and lacks the brittleness usually associated with glass reinforced chains.

Blank F-226 and F-228 attachment links are available for custom bolt hole patterns drilled at customer request. Ideal replacement for cast chain, interchangeable with both plastic and cast chain. Will work with rectangular clarifier sprockets, flights and chain components.

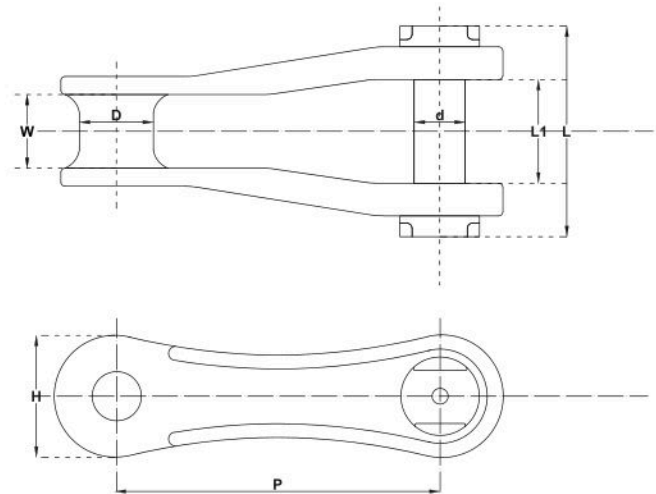
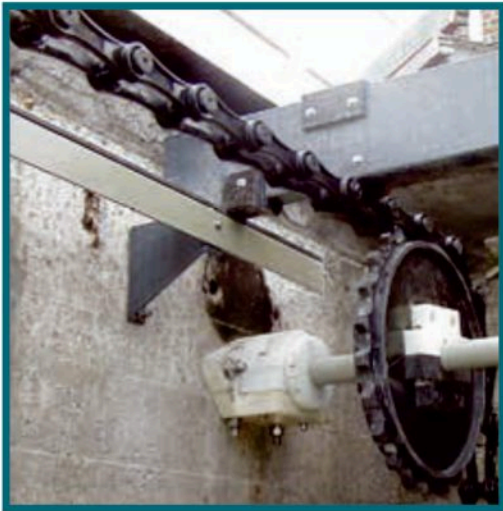
Ideal replacement for cast chain, interchangeable with both plastic and cast chain. Will work with rectangular clarifier sprockets, flights and chain components.



6" Pitch NM720S Collector Chain operates with any 720S sprocket.

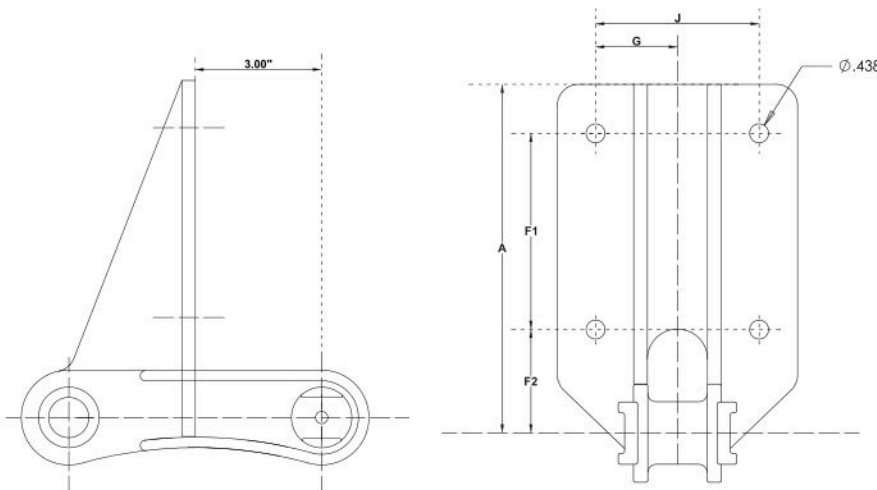
NM720S Non-Metallic Chain

Technical Details



NM 720S Collector Chain

Chain No.	Units	Pitch P	Minimum Ultimate Strength	Weight	Barrel		Pin			Link	Side Bar	
					Outside Dia d	Width W	Outside Dia D	Material	Length L	Material	Height H	Inside Width L1
NM720S	inch	6,000	6500 lbs	1,6 lbs/ft	1,438	1,375	0,932	Glass Filled Nylon	3,892	Unfilled Acetal	2,250	2,016
	mm	152,40	26 kN	2,38 kg/m	36,53	34,93	23,67		98,86		57,15	51,21



Flight Attachments

NM720S Chain is available with F-226 and F-228 Attachments. The Acetal resin resists breaking under torsional loading due to its lack of brittle characteristics, a common problem with Polyester or Glass Filled Chains. The flight attachments are also capable of handling high service loads and are ideal for use with HMAX Standard, Hi-Strength, Extreme Duty FRP and HMAX Aluminium flights.

Flight Attachment Size	Units	Height A	Dimension F1	Dimension F2	Dimension J	Dimension G
F-228	inch	8,000	4,500	2,375	3,750	1,875
	mm	203,20	114,30	60,33	95,25	47,63
F-226	inch	6,125	2,625	2,375	3,750	1,875
	mm	155,58	66,68	60,33	95,25	47,63

Hole-free versions available. The product is customizable according to any customer specification.