

SAV715

100% PROBADAS BAJO CARGA

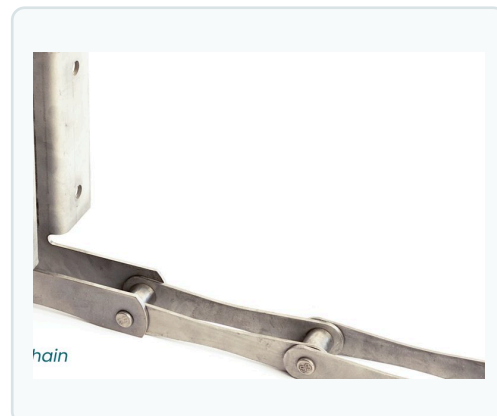
SAV715 — Cadena de acero inoxidable

■ Cada cadena probada bajo carga antes del envío

Cadena colectora de acero inoxidable 403 — mayor relación resistencia-peso que la fundición, sin su fragilidad ni corrosión. Más de 1,2 millones de metros en servicio.

Características principales

- Acero inoxidable 403
- Ligera y resistente
- Para rejillas de desbaste y desarenadores
- Vida útil medida en décadas



Control de calidad in-house · 100% de las cadenas probadas bajo carga antes del envío

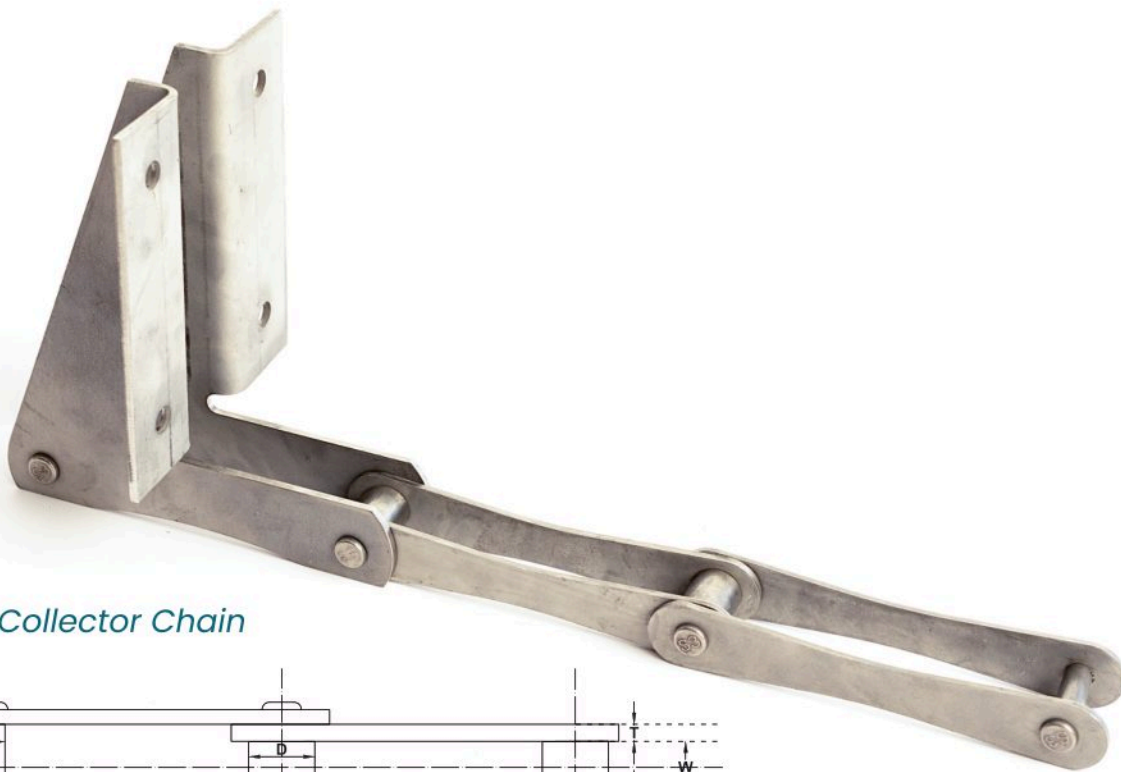
Especificaciones técnicas detalladas (dimensiones, tablas) — en las páginas siguientes, en inglés.

Consultas y presupuestos

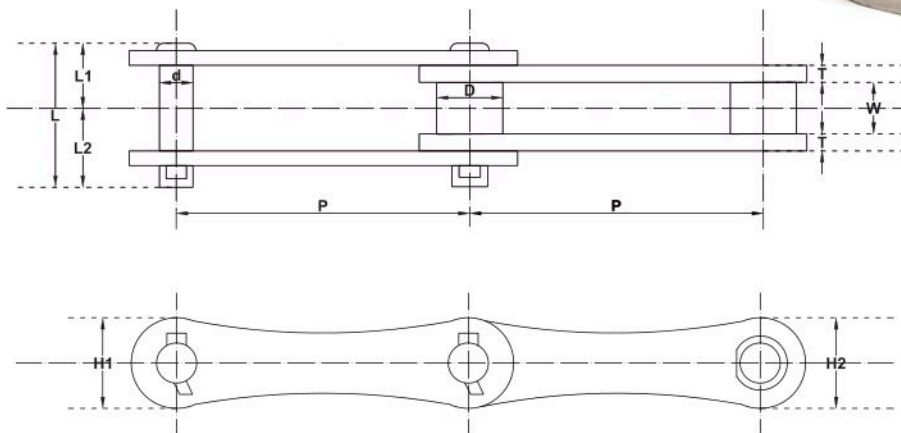
Terson Sp. z o.o.
ul. Świeradowska 51-57, 50-559 Wrocław, Polska

info@terson.pl
+48 71 72 30 350 · terson.eu

SAV715 Stainless Steel Chain



SAV715 Collector Chain



- Strong
- Lightweight
- 403 stainless steel

Dimensions and Strength of SAV715 Chain

Chain No.	Units	Pitch P	Min. Ultimate Strength	Min Weight	Barrel (min.)		Pin			Side Bars (min.)				
					Outside Dia. D	Width W	Dia. d	Length			Pin Link		Bushed Link	
								L	L1	L2	H1	T	H2	T
SAV 715	inch	6,00	29000 lbs	3,7 lbs/ft	3,7	1,015	0,569	2,843	1,281	1,562	1,54	0,224	1,85	0,224
	mm	152,40	129,00 kN	5,51 kg/m	93,98	25,78	14,45	72,21	32,54	39,67	39,12	5,69	46,99	5,69

SAV715 Chain, the first stainless steel curved sidebar chain equivalent. Lightweight, yet with a higher strength-to-weight ratio than cast chain, SAV715 is fabricated of 403 stainless steel and has been proven superior for high load applications and has readily available several common attachment link designs for Bar Screen and Grit Collector requirements.

The SAV715 is the result of innovative design and the application of unique metals technology providing a collector chain of unmatched service life and application potential for a wide range of service requirements. With over 4,000,000 feet of chain in service worldwide and a typical service life measured in decades, the SAV715 is the ideal chain for collector chain service.

SAV715 Stainless Steel Chain

SAV715 Chain is adaptable to a wide range of wastewater applications from rectangular clarifier to grit collection, bar screens, DAF and API service. The SAV715 handles the most demanding applications without problem. SAV chains feature a 304 grade stainless steel „J” cotter for easy assembly of the chain. Also available from Terson Chain for SAV715 is the Hybrid Replaceable tooth sprocket. Hardened stainless steel teeth resists grit and other abrasives, yet the individual tooth sections are easily replaced and can be done with simple tools. The chain does not need to be broken apart to perform the task less intrusive than having to replace entire sprockets or segments. Assembles with 316 stainless steel hardware.

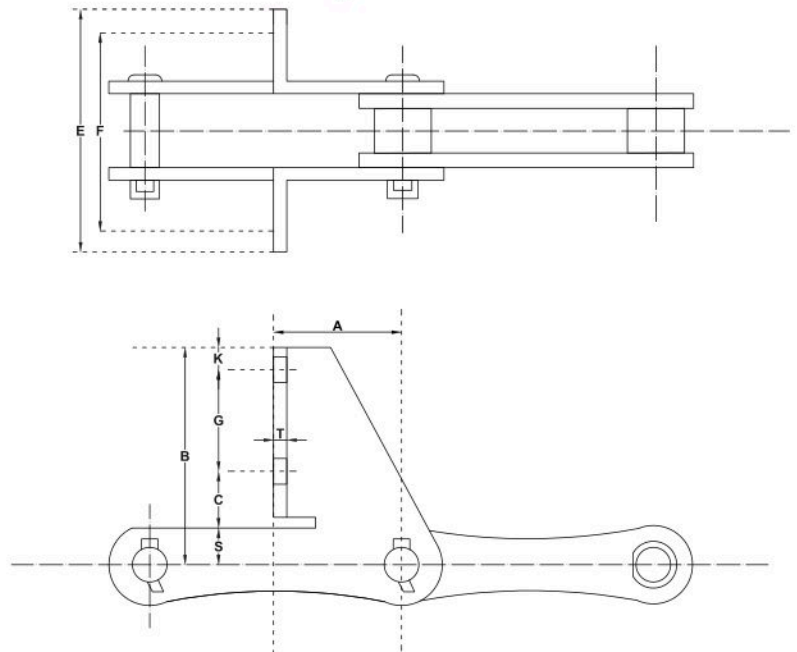


SAV715 Hybrid Sprocket



Replaceable Individual Teeth
Hardened 410 Stainless Steel
Steel or Non-Metallic Hub

SAV715 „F” Style Attachment Link



Dimensions of SAV715 „F” Attachment

Attachment Part No.	Units	Dimension										Attachment Nominal Weight
		A	B	C	E	F	G	K	S	T	Ø	
F-226/715	inch	3	6,1093	1,50	5,50	3,75	2,625	1,093	0,890	0,234	0,437	4,5 lbs/ea
	mm	76,20	155,18	38,10	139,70	95,25	66,68	27,76	22,61	5,94	11,10	2,04 kg/pcs
F-228/715	inch	3	7,875	1,484	5,5	3,75	4,5	1	0,890	0,234	0,437	5,4 lbs/ea
	mm	76,20	200,03	37,69	139,70	95,25	114,30	25,40	22,61	5,94	11,10	2,45 kg/pcs

also available With AM116, AD474, D-22, K-2, A-2, and A-42 attachments