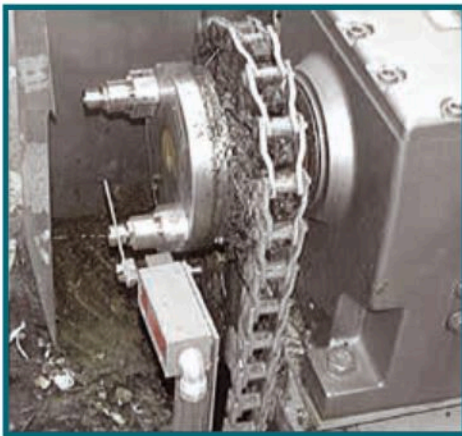
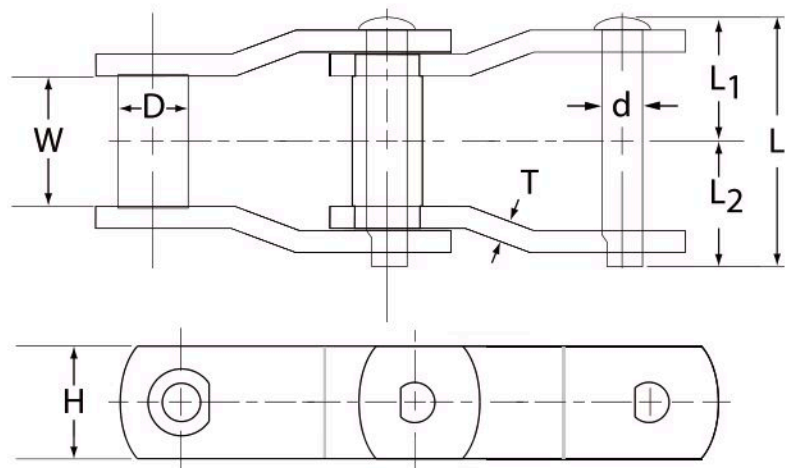


## HB78 Stainless Steel Drive Chain



HB78 Stainless Steel Drive chain is the premier pintle chain for harsh and demanding applications. Ideal for water and wastewater requirements. Made of 403 stainless steel, the chain is extremely strong, yet highly corrosion resistant. Consider some of the advantages of HB78 chain:

- Directly interchangeable with all 78 series chains
- Runs on Cast, Non-Metallic or Stainless tooth 78 style sprockets
- Minimal elongation = less adjustments
- J-cotter pin for easy link removal/install
- Available with food grade oil lubrication



HB78 Stainless Drive Chain

### Dimensions and Strength of HB78 Chain

Chain No.	Units	Pitch P	Working Load	Min. Ultimate Strength	Weight	Barrel		Pin			Side Bar		
						Outside Dia. D	Width W	Outside Dia. d	Length		Height H	Thick. T	
									L1	L2			
HB78	inch	2,609	3300 lbs	21000 lbs	3,8 lbs/ft	0,875	1,125	0,4375	2,625	1,1875	1,4375	1,23	0,224
	mm	66,27	14,68 kN	93,41 kN	5,66 kg/m	22,23	28,58	11,11	66,68	30,16	36,51	31,24	5,69