

Non-Metallic Shearpin Sprocket Assembly

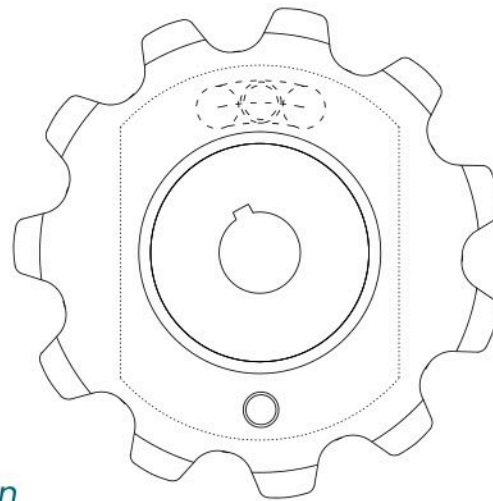
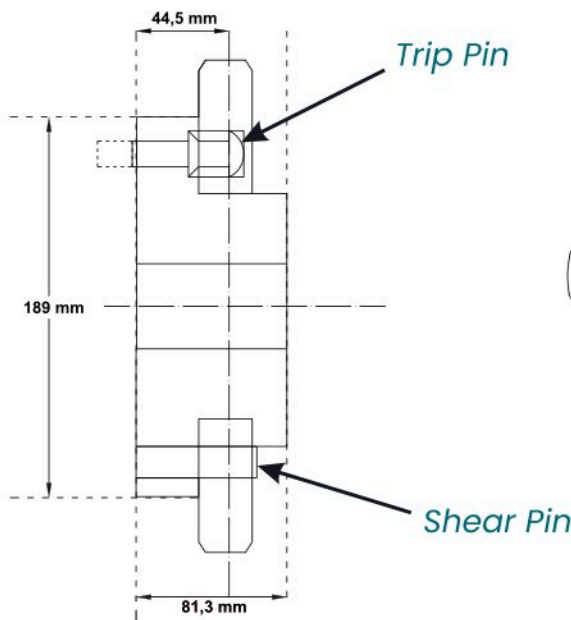


Stocked in 11 tooth configuration; other sizes also available. Key features:

- Urethane Hub
- Nylon 6 Teeth
- No Lubrication Required
- Ideal for metallic and Non-Metallic chain

Includes pop-out trip pin when shear pin has opened. The pop-out can be used with an optional limit switch to deenergize the motor and/or to activate an alarm.

Available in bore sizes ranging from 20 to 80mm diameter. Available from inventory for fast delivery.



11 Tooth Non-Metallic Shearpin Sprocket with Trip Arm

Part Number	Material		Weight	Shearpin Material	Shearpin OA Dia
	Hub	Teeth			
NMSP	Cast 75D Urethane	Nylon 6	5,2 lbs	T-6 6061 Aluminium	5/8"
			2,36 kg		15,875 mm