

## Standard UHMW Black Repro Wear Shoes

Wear shoes from TERSON come standard as a molded UHMW-PE Black Repro. Made from partially recycled UHMW-PE of 5 million dL/g the wear shoe provides excellent durability and wear resistance compared to competitive materials. All of this at a much more economical price than that of Virgin UHMW, Nylon, and Urethane.

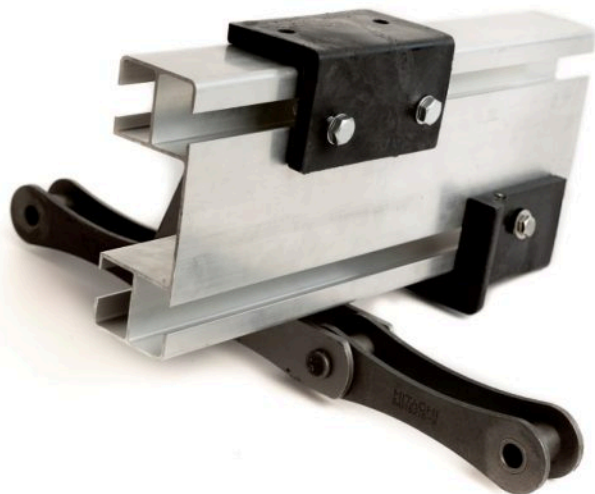


*Floor shoes*

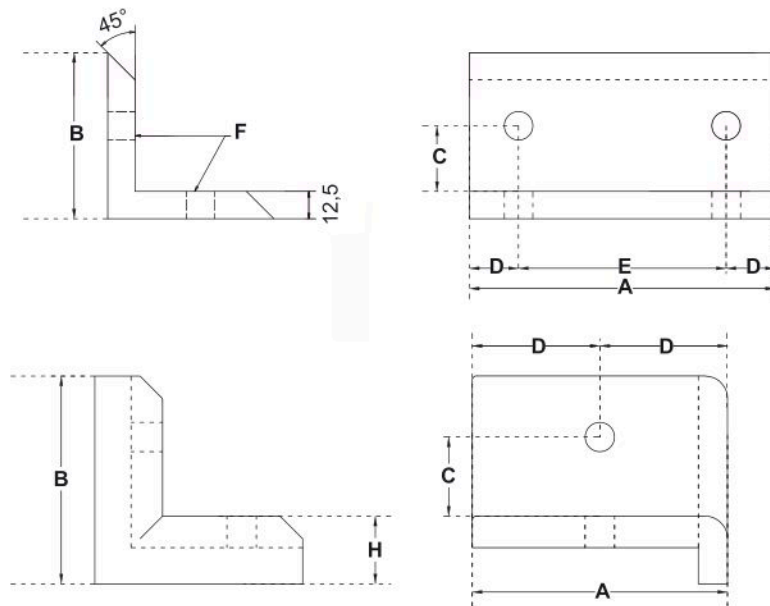


*Return shoes*

All shoes are 13mm thick and come in floor, return w/lug, and return w/o lug styles. For added utility, consider adding Wear Alert versions to your tank to act as a visual indicator for shoe reversal and replacement maintenance.

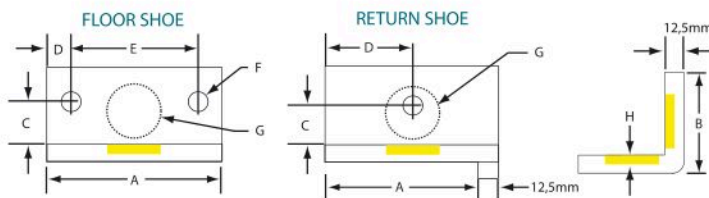
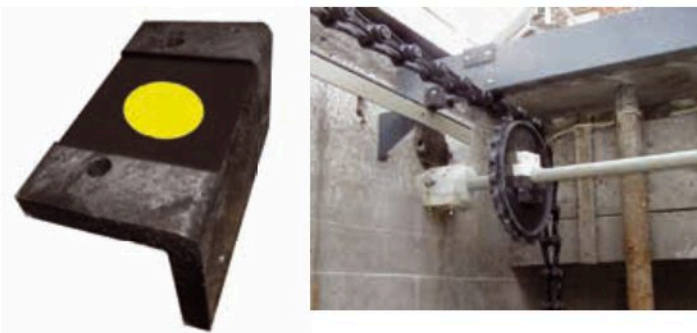


## Standard UHMW Black Repro Wear Shoes



Part No.	Type	Material	Units	A	B	C	D	E	F (dia)	H (thk)
HSTD187	Floor Shoe	UHMW-PE	inch	5,5	3	1,2	0,9	3,7	0,5	0,5
			mm	140	76	30	22,5	95	13	12,5
HSTD168	Return Shoe	UHMW-PE	inch	4,5	3,6	1,4	2,2		0,5	0,5
			mm	113	92	35	56,5		13	12,5

## Wear Alert UHMW-PE Wear Shoes



Wear Alert Shoes from TERSON eliminate the guess work of when the time is right to replace or reverse your worn out wearshoes. Shoes that are too badly worn cannot be reversed, losing a substantial part of the investment made in reversible shoes. With the Wear Alert Shoe from TERSON, a visible wear indicator appears when 50% of the shoe thickness is worn away. Made from UHMW-PE of 5 million dL/g, the Wear Alert shoe provides excellent durability and wear resistance. Available in standard floor and return shoe with lug configuration.

Part No.	Type	Material	Units	A	B	C	D	E	F	G (dia)	H (thk)
WAFS	Floor Shoe	UHMW-PE	inch	5,5	3	1,375	0,875	3,75	0,5	1,5	0,25
			mm	139,70	76,20	34,93	22,23	95,25	12,70	38,10	6,35
WARS	Return Shoe	UHMW-PE	inch	4,5	3	1,375	2,25		0,5	1,5	0,25
			mm	114,30	76,20	34,93	57,15		12,70	38,10	6,35